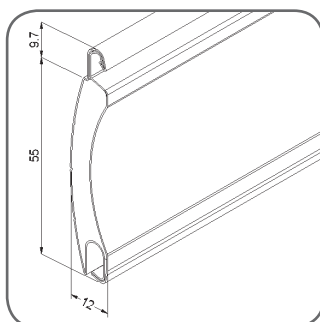
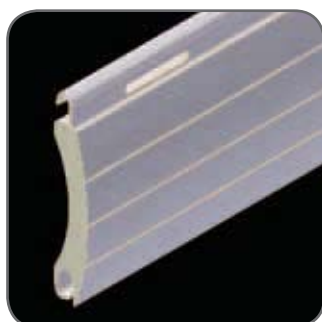




Roller Shutter Profiles



55mm Widespan

(Widespan Residential/Light Commercial)

Precision roll formed roller shutter profile made from high quality aluminium alloy. Foam filled for additional strength, security and a smooth silent operation. Suitable for widespan roller shutters and garage doors with special roll-tight design.

- High quality painted finish.
- Smooth and curved face.
- Roll-tight design.
- Range of colours.
- Double coated + lacquer for abrasion resistant finish.

Technical Specifications

Profile Slat Covering	55mm
Profile Slat Thickness	12mm
Maximum Width	4500mm
Maximum Height	3000mm
Maximum Surface Area	10m ²
Weight/Metre ²	4kg
Number Of Slats/Metre	18
Standard Length	5.8m
Pack Quantity	30 x 5.8 = 174m

Pelmet Sizes & Maximum Shutter Height

Pelmet Box Size	Max. No. Of Slats	Max. Shutter Height	Axle Size
180mm	32	1850mm	60mm
205mm	42	2400mm	60mm
230mm	55	3100mm	70mm
230mm	49	2800mm	101mm with adaptor
250mm	65	3650mm	101mm with adaptor
250mm	56	3150mm	130mm with adaptor

Colours & Product Codes

Colour	Product Code Perforated	Product Code Unperforated
Cream	10-001-155	10-101-155
Clear Beige	10-002-255	10-102-255
White	10-003-355	10-103-355
Brown	10-005-555	Not Available
Silver	10-011-155	10-111-155

Related Products



Bottom Bars
See page 14-15



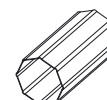
Guides
See page 22-23



Security Springs
See page 13



Profile End Clips
See page 12-13



Axles
See page 27-28