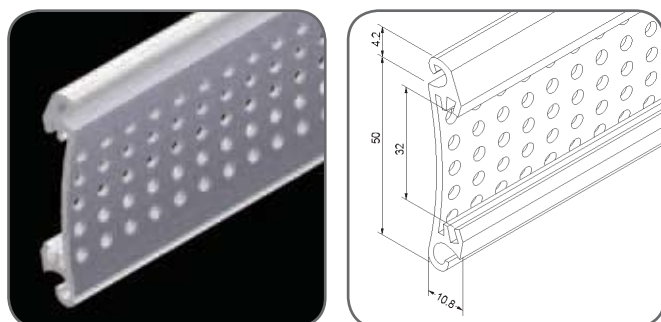




# Roller Shutter Profiles



## 50mm Extruded Vision

(Commercial)

Precision extruded roller shutter profile made from high quality, strong aluminium alloy. Extra strong single wall extrusion with approximately 20% vision and ventilation perforations.

- High quality powder coated finish for maximum abrasion resistance.
- Perforated and curved face.
- Roll-tight design.
- Range of colours.
- Ideal for shop front, shopping centre grille, commercial and industrial applications.

## Technical Specifications

<b>Profile Slat Covering</b>	50mm
<b>Profile Slat Thickness</b>	10.8mm
<b>Maximum Width</b>	4000mm
<b>Maximum Height</b>	3000mm
<b>Maximum Surface Area</b>	9m <sup>2</sup>
<b>Weight/Metre<sup>2</sup></b>	8.5kg
<b>Number Of Slats/Metre</b>	20
<b>Standard Length</b>	5.8m
<b>Pack Quantity</b>	10 x 5.8 = 58m

General Note: All dimensions and colours are indicative only and may change without notice. Profile technical specifications and shutter performance may vary in certain applications, eg. wide applications with no solid structure behind the roller shutter. For more information please contact your CW Products representative.

## Colours & Product Codes

Colour	Product Code Perforated	Product Code Unperforated
Cream	10-001-108	Not Available
Clear Beige	10-002-128	Not Available
White	10-003-155	Not Available
Anodised Silver	10-011-335	10-111-649

## Pelmet Sizes & Maximum Shutter Height

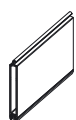
### Standard Slat Locks

Pelmet Box Size	Max. No. Of Slats	Max. Shutter Height	Axle Size
180mm	33	1750mm	70mm
205mm	44	2350mm	70mm
230mm	56	2950mm	70mm
250mm	70	3700mm	70mm
250mm	64	3350mm	101mm with adaptor
250mm	55	2900mm	130mm with adaptor

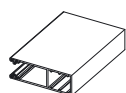
### Winged Slat Locks

180mm	23	1250mm	60mm
180mm	17	950mm	70mm
205mm	36	1900mm	70mm
230mm	44	2300mm	70mm
250mm	50	2600mm	101mm with adaptor

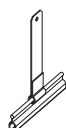
## Related Products



**Bottom Bars**  
See page 14-15



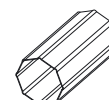
**Guides**  
See page 22-23



**Security Springs**  
See page 13



**Profile End Clips**  
See page 12-13



**Axles**  
See page 27-28