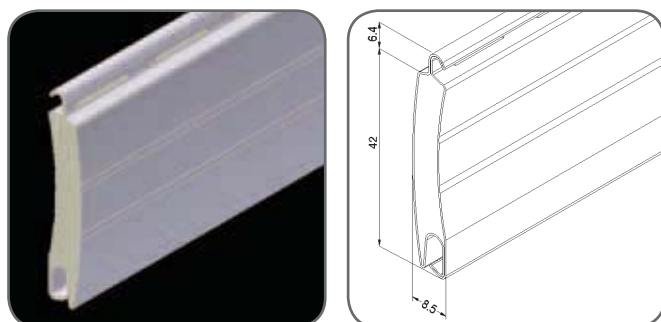




Roller Shutter Profiles



42mm Double Line

(Residential/Light Commercial)

Precision roll formed roller shutter profile made from high quality aluminium alloy. Foam filled for additional strength, security and a smooth silent operation.

- High quality painted finish.
- Double line grooved and curved face.
- Roll-tight design.
- Wide range of colours.
- Double coated + lacquer for abrasion resistant finish.
- Made in Australia.

Technical Specifications

Profile Slat Covering	42mm
Profile Slat Thickness	8.5mm
Maximum Width	3200mm
Maximum Height	2600mm
Maximum Surface Area	7m ²
Weight/Metre ²	3.2kg
Number Of Slats/Metre	24
Standard Length	5.8m
Pack Quantity	30 x 5.8 = 174m

Pelmet Sizes & Maximum Shutter Height

Pelmet Box Size	Max. No. Of Slats	Max. Shutter Height	Axle Size
150mm	31	1300mm	60mm
165mm	41	1700mm	60mm
180mm	52	2200mm	60mm
205mm	67	2850mm	60mm
230mm	93	3900mm	60mm

Colours & Product Codes

Colour	Product Code Perforated	Product Code Unperforated
Cream	10-001-105	10-101-473
Magnolia Cream	10-014-101	10-114-101
Clear Beige	10-002-127	10-102-504
White	10-003-148	10-103-519
Grey	10-004-165	10-104-569
Brown	10-005-186	10-105-588
Beige	10-006-209	10-106-609
Green	10-007-243	10-107-621
Red	10-008-263	10-108-633
Bronze	10-009-283	10-109-636
Black	10-010-305	10-110-641
Charcoal	10-012-101	10-112-101
Silver	10-011-325	10-111-644
Deep Ocean	10-013-101	10-113-101
Woodland Grey	10-015-101	10-115-101

Related Products



Bottom Bars
See page 14-15



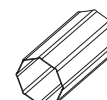
Guides
See page 22-23



Security Springs
See page 13



Profile End Clips
See page 12-13



Axles
See page 27-28

General Note: All dimensions and colours are indicative only and may change without notice. Profile technical specifications and shutter performance may vary in certain applications, eg. wide applications with no solid structure behind the roller shutter. For more information please contact your CW Products representative.