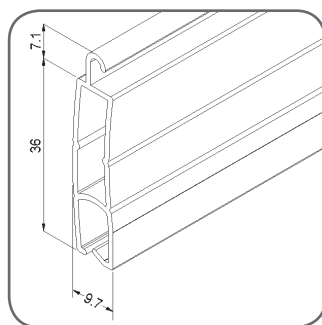




# Roller Shutter Profiles



## 36mm Extruded

(High Security Commercial)

Precision extruded roller shutter profile made from high quality, strong aluminium alloy. Commercial grade double wall extrusion for heavy duty strength/security.

- High quality powder coated finish for maximum abrasion resistance.
- Double line grooved and slight curved face.
- Roll-tight design.
- Range of colours.
- For widespan shutters.
- Engineered to withstand high wind resistance and storms up to 300km/hr\*.

\* With the use of Wing Locks.

## Technical Specifications

Profile Slat Covering	36mm
Profile Slat Thickness	9.7mm
Maximum Width	5000mm (with Winged Slat Locks)
Maximum Height	3000mm
Maximum Surface Area	12m <sup>2</sup>
Weight/Metre <sup>2</sup>	7.5kg
Number Of Slats/Metre	28
Standard Length	5.8m
Pack Quantity	10 x 5.8 = 58m

General Note: All dimensions and colours are indicative only and may change without notice. Profile technical specifications and shutter performance may vary in certain applications, eg. wide applications with no solid structure behind the roller shutter. For more information please contact your CW Products representative.

## Colours & Product Codes

Colour	Product Code Perforated	Product Code Unperforated
Cream	10-001-487	10-101-487
Clear Beige	10-002-512	10-102-512
White	10-003-547	10-103-547
Black	10-010-487	10-110-487
Anodised Silver	Not Available	10-111-647

## Pelmet Sizes & Maximum Shutter Height

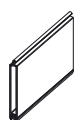
### Standard Slat Locks

Pelmet Box Size	Max. No. Of Slats	Max. Shutter Height	Axle Size
180mm	50	1800mm	60mm
205mm	56	2020mm	70mm
230mm	72	2600mm	70mm
250mm	90	3250mm	70mm
250mm	85	3050mm	101mm with adaptor
250mm	72	2590mm	130mm with adaptor

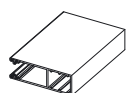
### Winged Slat Locks

Pelmet Box Size	Max. No. Of Slats	Max. Shutter Height	Axle Size
180mm	38	1350mm	60mm
205mm	46	1650mm	70mm
230mm	62	2300mm	70mm
250mm	72	2600mm	70mm
250mm	78	2800mm	101mm with adaptor
250mm	65	2350mm	130mm with adaptor

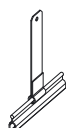
## Related Products



**Bottom Bars**  
See page 14-15



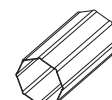
**Guides**  
See page 22-23



**Security Springs**  
See page 13



**Profile End Clips**  
See page 12-13



**Axles**  
See page 27-28